



EMULATION TECHNOLOGY, INC.

Specification Number: M3277

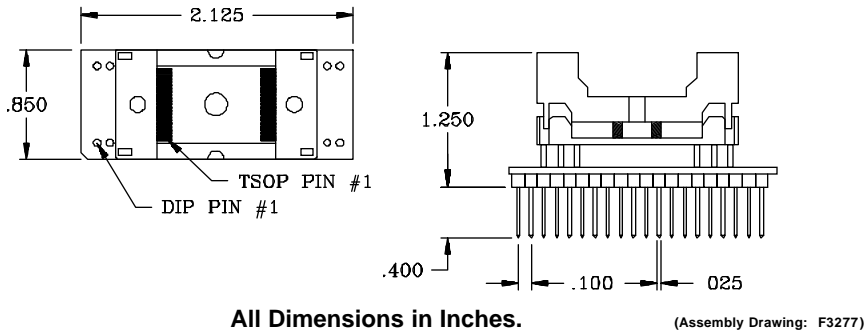
PROGRAMMING ADAPTER SPECIFICATION

Item: 564005TS600YAMS
Description: AS-56-40-05TS-6YAM-S

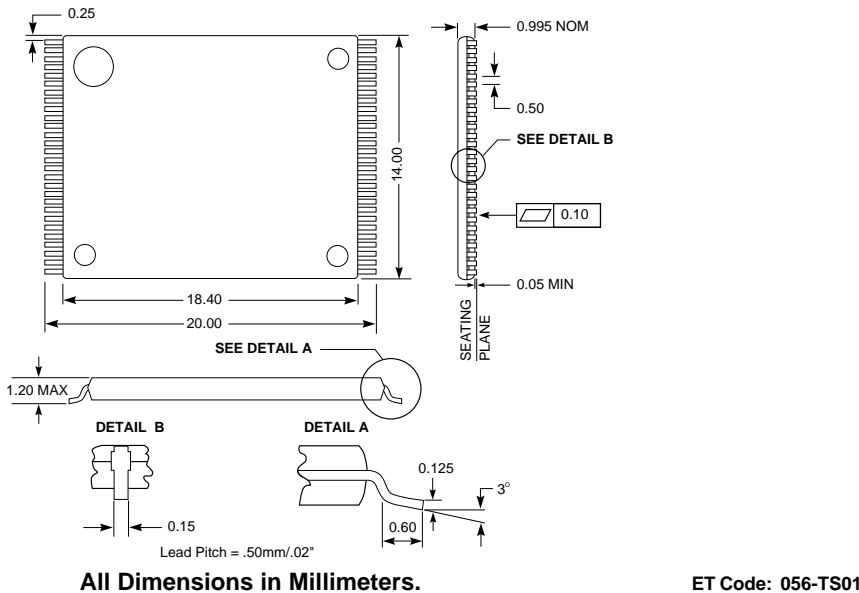
REPLACEMENT SOCKET: S-TSO-00-056-A

Call Emulation Technology for a replacement socket price and delivery quote.

TYPICAL DIMENSIONS:



PACKAGE SPECIFICATIONS:



Compatible TSOP devices:

E28F016XD

Manufacturer:

Intel

Programmers:

Advin Systems: Pilot-U84, Pilot-145
 Aval Data: PKW-5100
 B&C Microsystems: Proteus(UP40, UPLC88/72/68/48, GEP8/16)
 BP Microsystems: BP-1200(SM48D), BP-1148, EP-1140
 Bytek: EZ-FT
 Data I/O: ChipLab-48, 2900, UniSite(SetSite)
 E.E. Tools: ProMax
 Elan: 6000, 4000/5000 TURBO, 3000/4000/5000
 EmulationTechnology, Inc.: ET-PIC 4000/48
 Logical Devices: AllPro-40, AllPro-88XR/88
 Needham's Electronics: EMP20
 SMS: Sprint PLUS48/Optima/Expert/MultiSyte
 Stag: Quasar-1040/1084
 System General: Multi-APRO, APRO, TURPRO-1/-1FX, and TURPRO-840

CONNECTION TABLE:

56-Lead TSOP SOCKET	PIN Names	40-Pin DIP Base
1	3/5#	33
2	GND	11 & 30
3	NC	32
4	A9	31
5	A8	29
6	A7	28
7	A6	27
8	A5	26
9	V _{CC}	40
10	RAS#	35
11	CAS#	34
12	NC	NO TRACE
13	NC	NO TRACE
14	GND	11 & 30
15	V _{PP}	1
16	RP#	37
17	NC	NO TRACE
18	NC	NO TRACE
19	NC	NO TRACE
20	NC	NO TRACE
21	GND	11 & 30
22	NC	NO TRACE
23	NC	NO TRACE
24	A4	25
25	A3	24
26	A2	23
27	A1	22
28	A0	21
29	NC	NO TRACE
30	NC	NO TRACE
31	V _{CC} /BYTE# ¹	GND
32	NC	NO TRACE
33	DQ0	19
34	DQ8	10
35	DQ1	18
36	DQ9	9
37	V _{CC}	40
38	DQ2	17
39	DQ10	8
40	DQ3	16
41	DQ11	7
42	GND	11 & 30
43	V _{CC}	40
44	DQ4	15
45	DQ12	6
46	DQ5	14
47	DQ13	5
48	GND	11 & 30
49	DQ6	13
50	DQ14	4
51	DQ7	12
52	DQ15	3
53	RY/BY#	38
54	OE#	20
55	WE#	39
56	WP#	2

Note: 1. TSOP pin 31 on E28F016XD is currently V_{CC}, could become BYTE# on future version.



EMULATION TECHNOLOGY, INC.

2344 WALSH AVENUE • BUILDING F
SANTA CLARA, CA 95051-1301
TEL 408 / 982.0660 • FAX 408 / 982.0664

Call today for a FREE Full Line Catalog and Unlimited Application Consulting!

Page 1 of 1
Date: 8/10/95
Rev: C

The Emulation Technology logo is a registered trademark of Emulation Technology, Inc.